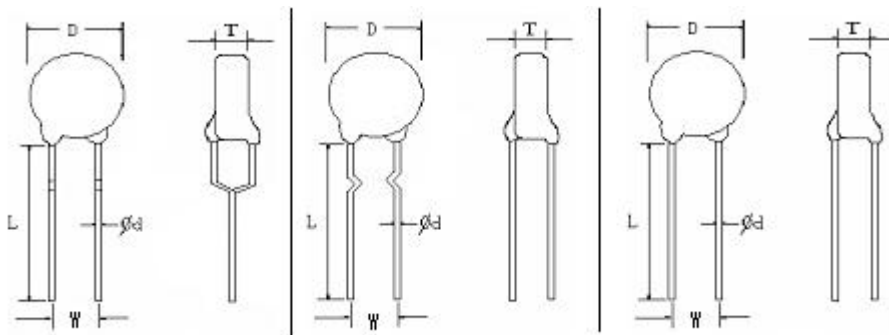


Overcurrent Protection PTC Thermistor

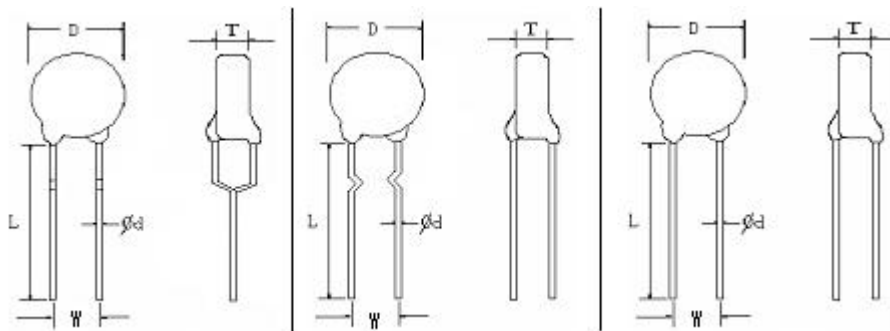
24/30/32V Series



Item	MAX. VOLTAGE(V)	CURRENT WHEN DON'T OPRATE AT 60°C(mA)	poses current when at -10 °C (mA)	maximum current(A)	Resistance when 25 °C (ohm)	Curie point (°C)	Ontology diameter (Dmax)(mm)	thickness (Tmax)(mm)	lead spacing (W)(mm)	Terminal diameter (phi d)(mm)
MZ8B08D80C100RN24V	24	80	320	2.0	10 ±30%	80	8.0	4.0	5.0	0.6
MZ8B08D80C6R8M24V	24	90	370	2.0	6.8 ±30%	80	8.0	4.0	5.0	0.6
MZ8B10D80C4R7N24V	24	120	500	2.0	4.7 ±30%	80	10.0	4.0	5.0	0.6
MZ8B10D80C3R3N24V	24	140	580	2.0	3.3 ±30%	80	10.0	4.0	5.0	0.6
MZ8B10D80C2R2N24V	24	180	710	2.0	2.2 ±30%	80	10.0	4.0	5.0	0.6
MZ6B06D120C13RN30V	30	145	400	0.7	13 ±25%	120	6.0	4.0	5.0	0.6
MZ8B08D120C4R6N30V	30	250	700	2.0	4.6 ±25%	120	8.0	4.0	5.0	0.6
MZ8B10D120C1R8N30V	30	410	1120	3.0	1.8 ±25%	120	10.0	4.0	5.0	0.6
MZ8B12D120C1R2N30V	30	520	1420	4.3	1.2 ±25%	120	12.0	4.0	5.0	0.6
MZ8B08D80C47RN32V	32	30	140	1.5	47 ±30%	80	8.0	4.0	5.0	0.6
MZ8B08D80C33RN32V	32	40	170	1.5	33 ±30%	80	8.0	4.0	5.0	0.6
MZ8B08D80C22RN32V	32	45	200	1.5	22 ±30%	80	8.0	4.0	5.0	0.6
MZ8B08D80C15RN32V	32	60	240	1.5	15 ±30%	80	8.0	4.0	5.0	0.6

Overcurrent Protection PTC Thermistor

56/80V Series

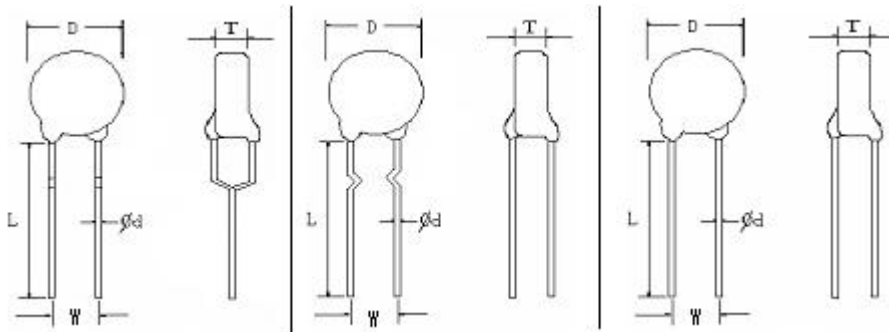


Item	MAX. VOLTAGE(V)	CURRENT WHEN DON'T OPRATE AT 60°C(mA)	poses current when at -10 °C (mA)	maximum current(A)	Resistance when 25 °C (ohm)	Curie point (°C)	Ontology diameter (Dmax)(mm)	thickness (Tmax)(mm)	lead spacing (W)(mm)	Terminal diameter (phi d)(mm)
MZ8B08D120C22RM56V	56	90	240	1.0	22 ±20%	120	8.0	4.0	5.0	0.6
MZ8B08D120C8R2M56V	56	130	350	1.0	8.2 ±20%	120	8.0	4.0	5.0	0.6
MZ8B10D120C15RM56V	56	150	400	1.2	15 ±20%	120	10.0	4.0	5.0	0.6
MZ8B11D120C3R9M56V	56	210	550	2.0	3.9 ±20%	120	11.0	4.0	5.0	0.6
MZ8B10D120C4R7M56V	56	270	700	2.0	4.7 ±20%	120	10.0	4.0	5.0	0.6
MZ8B11D120C3R9M56V	56	300	800	2.0	3.9 ±20%	120	11.0	4.0	5.0	0.6
MZ8B15D120C3R3M56V	56	380	980	2.5	3.3 ±20%	120	15.0	4.0	5.0	0.6
MZ6B06D120C55RN80V	80	50	135	0.7	55 ±25%	120	6.0	4.5	5.0	0.6
MZ8B08D120C25RN80V	80	110	300	1.0	25 ±25%	120	8.0	4.5	5.0	0.6
MZ8B10D120C9R4N80V	80	190	530	3.0	9.4 ±25%	120	10.0	4.5	5.0	0.6
MZ8B12D120C5R6N80V	80	270	760	4.3	5.6 ±25%	120	12.0	4.5	5.0	0.6

MOQ>=1000PCS, Resistance can be set by customers from range, in principle is not less than 20%. Owing to space constraints, listed above is only commonly used models, the company according to clients provide more different types of products.

Overcurrent Protection PTC Thermistor

125/140V Series

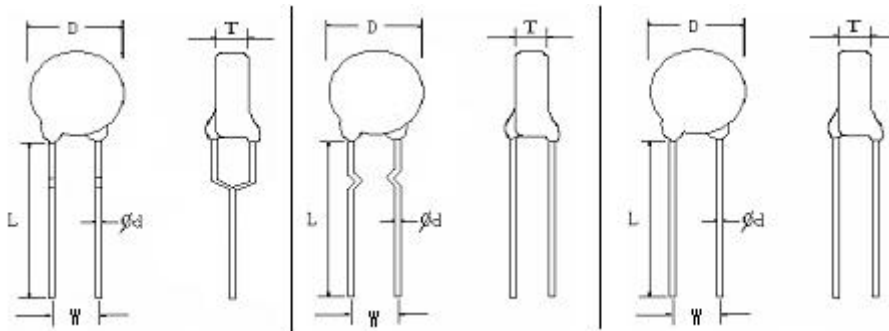


Item	MAX. VOLTAGE(V)	CURRENT WHEN DON'T OPRATE AT 60°C(mA)	poses current when at -10 °C (mA)	maximum current(A)	Resistance when 25 °C (ohm)	Curie point (°C)	Ontology diameter (Dmax)(mm)	thickness (Tmax)(mm)	lead spacing (W)(mm)	Terminal diameter (phi d)(mm)
MZ6B06D120C180RM125V	125	30	75	0.3	180 ±20%	120	6.0	5.0	5.0	0.6
MZ8B08D120C75RM125V	125	65	165	0.3	75 ±20%	120	8.0	6.0	5.0	0.6
MZ8B10D120C47RM125V	125	90	230	0.5	47 ±20%	120	10.0	5.5	5.0	0.6
MZ8B10D120C22RM125V	125	135	340	0.8	22 ±20%	120	10.0	5.5	5.0	0.6
MZ8B13D120C15RM125V	125	175	440	1.0	15 ±20%	120	13.0	5.5	5.0	0.6
MZ8B15D120C10RM125V	125	220	550	1.2	10 ±20%	120	15.0	5.5	5.0	0.6
MZ8B17D120C6R8M125V	125	300	750	1.4	6.8 ±20%	120	17.0	5.5	5.0	0.6
MZ8B17D120C4R7M125V	125	360	900	1.7	4.7 ±20%	120	17.0	5.5	5.0	0.6
MZ8B17D120C3R3M125V	125	420	1050	2.0	3.3 ±20%	120	17.0	5.5	5.0	0.6
MZ8B08D120C33RM140V	140	100	230	0.5	33 ±20%	120	8.0	6.0	5.0	0.6
MZ8B10D120C22RM140V	140	140	330	1.0	22 ±20%	120	10.0	6.0	5.0	0.6
MZ8B12D120C15RM140V	140	170	400	1.0	15 ±20%	120	12.0	6.0	5.0	0.6
MZ8B13D120C10RM140V	140	220	510	1.0	10 ±20%	120	13.0	6.0	5.0	0.6
MZ8B15D120C6R8M140V	140	290	670	1.0	6.8 ±20%	120	15.0	6.0	5.0	0.6
MZ8B17D120C5R6M140V	140	340	780	2.0	5.6 ±20%	120	17.0	6.0	5.0	0.6

MOQ>=1000PCS, Resistance can be set by customers from range, in principle is not less than 20%. Owing to space constraints, listed above is only commonly used models, the company according to clients provide more different types of products.

Overcurrent Protection PTC Thermistor

250/265V Series

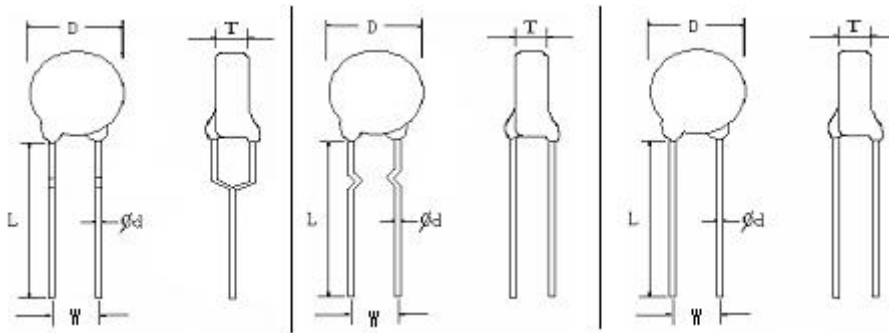


Item	MAX. VOLTAGE(V)	CURRENT WHEN DON'T OPRATE AT 60°C(mA)	poses current when at -10 °C (mA)	maximum current(A)	Resistance when 25 °C (ohm)	Curie point (°C)	Ontology diameter (Dmax)(mm)	thickness (Tmax)(mm)	lead spacing (W)(mm)	Terminal diameter (phi d)(mm)
MZ8B08D100C22RN250V	250	90	300	0.5	22 ±30%	100	8.0	6.0	5.0	0.6
MZ8B08D100C12RN250V	250	90	300	0.6	12 ±30%	100	11.0	6.0	5.0	0.6
MZ8B10D120C39RN250V	250	100	280	0.6	39 ±30%	120	10.0	6.0	5.0	0.6
MZ6B06D120C150RN265V	265	28	78	0.2	150 ±25%	120	6.0	6.0	5.0	0.6
MZ6B06D120C180RM265V	265	29	70	0.3	180 ±20%	120	6.0	6.5	5.0	0.6
MZ6B06D120C120RM265V	265	35	85	0.3	120 ±20%	120	6.0	6.5	5.0	0.6
MZ8B08D120C82RM265V	265	60	150	0.5	82 ±20%	120	8.0	6.5	5.0	0.6
MZ8B08D120C70RN265V	265	66	185	0.4	70 ±25%	120	8.0	6.0	5.0	0.6
MZ8B08D120C65RM265V	265	68	190	1.0	65 ±25%	120	8.0	6.0	5.0	0.6
MZ8B08D120C45RM265V	265	80	220	1.0	45 ±25%	120	8.0	6.0	5.0	0.6
MZ8B08D120C56RM265V	265	80	190	0.8	56 ±20%	120	8.0	6.5	5.0	0.6
MZ8B10D120C39RM265V	265	100	240	1.2	39 ±20%	120	10.0	6.5	5.0	0.6
MZ8B10D120C25RM265V	265	118	330	1.0	25 ±20%	120	10.0	6.0	5.0	0.6
MZ8B13D120C27RM265V	265	150	360	1.5	27 ±20%	120	13.0	6.5	5.0	0.6
MZ8B13D120C15RM265V	265	165	460	1.5	15 ±20%	120	13.0	6.0	5.0	0.6
MZ8B15D120C18RM265V	265	180	440	1.8	18 ±20%	120	15.0	6.5	5.0	0.6
MZ8B13D120C10RM265V	265	200	560	2.2	10 ±20%	120	13.0	6.0	5.0	0.6
MZ8B17D120C6R0M265V	265	300	830	4.1	6.0 ±20%	120	17.0	6.0	7.5	0.6

MOQ≥1000PCS, Resistance can be set by customers from range, in principle is not less than 20%. Owing to space constraints, listed above is only commonly used models, the company according to clients provide more different types of products.

Overcurrent Protection PTC Thermistor

Instrument small current protection series

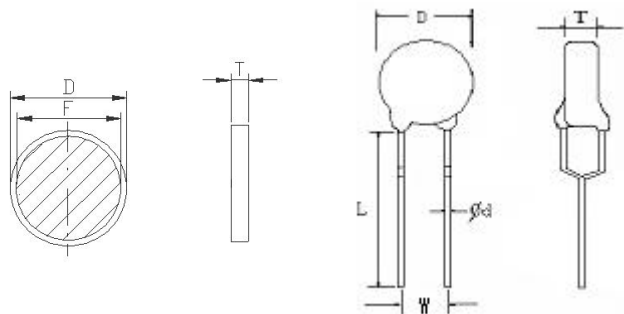


Item	withstand voltage (V)	Current when don't operate at 40 °C (mA)	Operating current (mA)	Resistance when temperature at 25 °C (ohm)	Curie point(°C)	Ontology diameter (Dmax)(mm)	thickness (Tmax)(mm)	lead spacing (W)(mm)	Terminal diameter (φd)(mm)
MZ3B03D75C2500RM	800	4	8	2.5K±30%	75	4.5	4.5	5.0	0.5
MZ3B03D75C2000RM	800	5	10	2.0K±30%	75	4.5	4.5	5.0	0.5
MZ3B03D75C1500RM	800	6	12	1.5K±20%	75	4.5	4.5	5.0	0.5
MZ3B03D75C1000RM	800	8	16	1.0K±20%	75	4.5	4.5	5.0	0.5
MZ3B03D75C500RM	800	10	20	500±20%	75	4.5	4.5	5.0	0.5
MZ3B03D75C400RM	800	12	24	400±20%	75	4.5	4.5	5.0	0.5
MZ5B05D75C300RM	800	15	30	300±20%	75	5.0	4.5	5.0	0.5
MZ5B05D75C250RM	800	20	40	250±20%	75	5.0	4.5	5.0	0.5
MZ6B06D120C400RM	800	25	50	400±20%	120	6.0	4.5	5.0	0.6
MZ6B06D120C200RM	800	30	60	200±20%	120	6.0	4.5	5.0	0.6
MZ6B06D120C150RM	800	35	70	150±20%	120	6.0	4.5	5.0	0.6
MZ6B06D120C100RM	600	40	80	100±20%	120	6.0	4.5	5.0	0.6
MZ6B06D120C90RM	600	45	90	90±20%	120	6.0	4.5	5.0	0.6
MZ6B06D120C80RM	500	50	100	80±20%	120	6.0	4.5	5.0	0.6
MZ6B06D120C70RM	500	55	110	70±20%	120	6.0	4.5	5.0	0.6
MZ6B06D120C60RM	400	60	120	60±20%	120	6.0	4.5	5.0	0.6
MZ6B06D120C50RM	400	65	130	50±20%	120	6.0	4.5	5.0	0.6
MZ8B08D120C55RM	400	70	140	55±20%	120	8.0	4.5	5.0	0.6
MZ8B08D120C45RM	400	80	160	45±20%	120	8.0	4.5	5.0	0.6
MZ8B08D120C30RM	350	90	180	30±20%	120	8.0	4.5	5.0	0.6
MZ8B08D120C25RM	300	100	200	25±20%	120	8.0	4.5	5.0	0.6

MOQ>=1000PCS, Resistance can be set by customers from range, in principle is not less than 20%. Owing to space constraints, listed above is only commonly used models, the company according to clients provide more different types of products.

Overcurrent Protection PTC Thermistor

Communication equipment overcurrent protection series

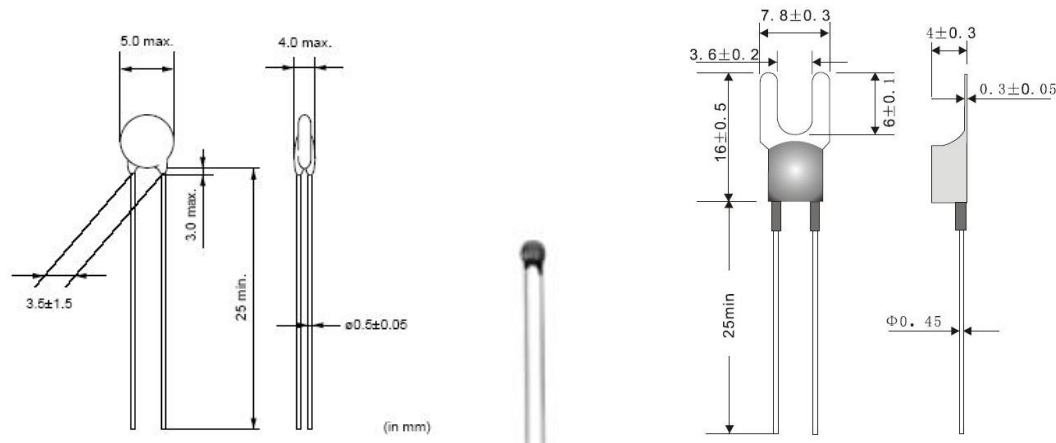


Item	withstand voltage (V)	Current when don't operate at 40 °C (mA)	operate Current when don't operate at 40 °C (mA)	Max current(A)	Resistance when temperature at 25 °C (ohm)	Curie point(°C)	Ontology diameter (Dmax)(mm)	thickness (Tmax)(mm)	lead spacing (W)(mm)	Terminal diameter (phi d)(mm)
MZ21-90-250-18RM	250	60	120	3	27±20%	100	5.5	1.5	/	/
MZ21-90-250-18RM	250	75	150	3	22±20%	100	5.5	1.5	/	/
MZ21-90-250-18RM	250	90	180	3	18±20%	100	5.5	1.5	/	/
MZ21-110-250-18RM	250	110	220	3	18±20%	100	5.5	2.1	/	/
MZ21-110-250-18RM	250	110	220	3	18±20%	100	6.8	1.6	/	/
MZ21-120-250-12RM	250	130	260	1	12±20%	100	6.8	2.1	/	/
MZ21-120-250-12RM	250	150	300	1	10±20%	100	6.8	2.1	/	/
MZ21-120-250-12RM	250	170	340	1	8±20%	100	6.8	2.1	/	/
MZ23-70-650-50RM	650	70	140	3	50±20%	100	9.0	4.0	5.0	0.6
MZ23-60-650-55RM	650	60	120	3	55±20%	100	9.0	4.0	5.0	0.6
MZ23-70-250-18RM	250	70	140	1	18±20%	120	8.0	4.0	5.0	0.6
MZ21-80-250-12RM	250	80	160	1	12±20%	120	8.0	4.0	5.0	0.6

MOQ≥1000PCS, Resistance can be set by customers from range, in principle is not less than 20%. Owing to space constraints, listed above is only commonly used models, the company according to clients provide more different types of products.

Overcurrent Protection PTC Thermistor

Radial type



Item	Max.voltage (V)	Curie point(°C)	Temperature sensing (°C)	Resistance when temperature at 25°C (Max)(ohm)	Resistance when temperature sensing at -10 °C(Max)	Sensing temperature resistance (Min)
MZ3-40C100RM60T	16	40	60	100	330ohm	470ohm
MZ3-50C100RM70T	16	50	70	100	330ohm	470ohm
MZ3-60C100RM80T	16	60	80	100	330ohm	470ohm
MZ3-70C100RM90T	16	70	90	100	330ohm	470ohm
MZ3-80C100RM100T	16	80	100	100	330ohm	470ohm
MZ3-90C100RM110T	16	90	110	100	330ohm	470ohm
MZ3-100C100RM120T	16	100	120	100	330ohm	470ohm
MZ3-40C330RM60T	16	40	60	330	1.5k ohm	2.2k ohm
MZ3-50C330RM70T	16	50	70	330	1.5k ohm	2.2k ohm
MZ3-60C330RM80T	16	60	80	330	1.5k ohm	2.2k ohm
MZ3-70C330RM90T	16	70	90	330	1.5k ohm	2.2k ohm
MZ3-80C330RM100T	16	80	100	330	1.5k ohm	2.2k ohm
MZ3-90C330RM110T	16	90	110	330	1.5k ohm	2.2k ohm
MZ3-100C330RM120T	16	100	120	330	1.5k ohm	2.2k ohm

MOQ≥1000PCS, Resistance can be set by customers from range, in principle is not less than 20%. Owing to space constraints, listed above is only commonly used models, the company according to clients provide more different types of products.